



EXTRUDED 3" FLAT HANDRAILS:

Contact us: Tel: 1-800-929-9247 Fax: 1-312-348-6163 Email: adams.parts@adamselevator.com www.adamselevator.com/handrails

1 Select a Finish:

- Standard** Clear Anodized (#4 AHRE3000X4-IN).....
- Black Anodized (#4 AHRE3000K4-IN).....
- Designer Anodized Bronze** Light Oxidized Bronze (#4 AHRE3000L4-IN).....
- Medium Oxidized Bronze(#4 AHRE3000M4-IN)
- Dark Oxidized Bronze (#4 AHRE3000D4-IN).....

2 Select a Spacer Type (required):

- In Cab Mounting (removable)
- Exterior Cab Mounting

3 Select a Spacer Design:

- Barrel (no flange) 1.25" dia
- Soft Square 1.25" sq

4 Specify Measurements and Total Number of Spacers Per Rail:

Qty:

Qty:

Qty:

Qty:

5 Add Details and Specifications As Needed: (e.g. shipping account info; spacer details)

QUOTE FOR: **SHIP TO:** **SUBMIT FORM:**

Company: _____

Job Name: _____

Order #: _____ PO#: _____

Contact: _____

E-mail: _____

Address: _____

Country: _____ Zip/Postal Code: _____

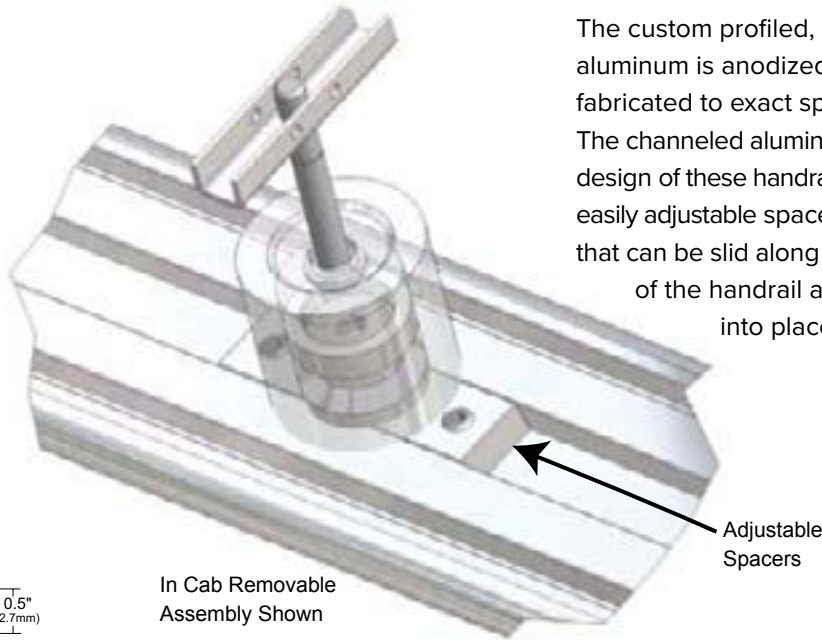
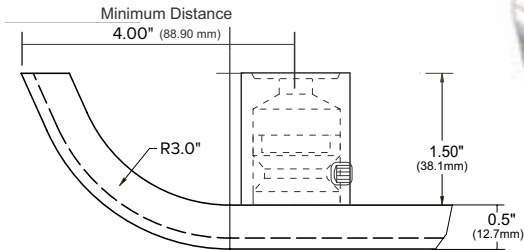
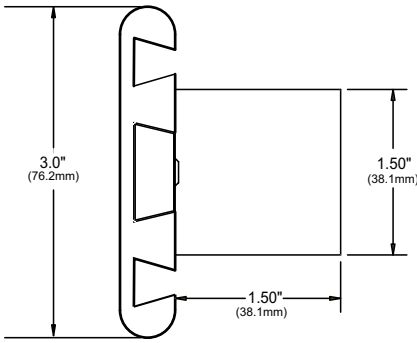
Tel: _____ Fax: _____

Freight: On Account # _____ Add Shipping

OR
Print this form,
fill out by hand,
and scan to us.

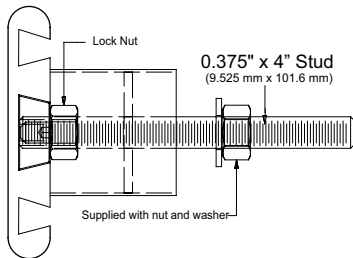


FLAT EXTRUDED BAR ENGINEERING DATA (AHRE 3000 SERIES)



The custom profiled, 3" extruded aluminum is anodized and then fabricated to exact specifications. The channeled aluminum extrusion design of these handrails allows for easily adjustable spacer locations that can be slid along the length of the handrail and locked into place.

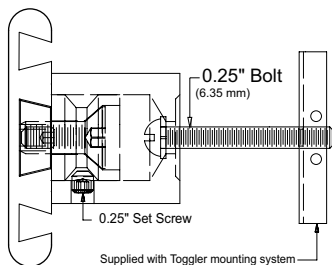
EXTERIOR CAB INSTALLATION SPACER



PULL-OUT VALUES for 3/8" STUD

Handrail Thread-lock fastener engineered test data
Pull-out values for removal of threaded fasteners from Lustre Products' handrails = 1509 lbs

IN CAB (REMOVABLE) INSTALLATION SPACER

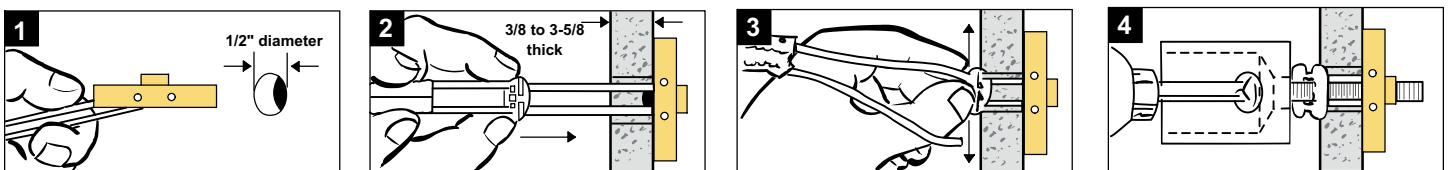


PULL-OUT VALUES for 1/4"- 20 BOLT

265 lbs (120 kg) ultimate tensile load in 1/2" drywall
306 lbs (162 kg) ultimate tensile load in 5/8" drywall
925 lbs (420 kg) ultimate tensile load in concrete block
1,283 lbs (583 kg) ultimate tensile load in steel plate

Tests by independent test laboratory show ultimate load. Industry safety standards recommend 1/4 of the values for actual applications. Age and conditions of substrate will cause load values to vary.

In Cab Removable Handrail Spacer Installation Instructions



HANDRAIL WEIGHT

SHIPPING WEIGHTS = Handrail physical weight calculations = 1.62 lbs per lineal foot (0.73 kg / 30.48 cm)

Spacer assembly = 0.58 lbs (0.26 kg) per spacer

ACTUAL WEIGHTS = Average assembled & packaged shipping weight = 2.48 lbs per lineal foot of handrail (1.13 kg / 30.48 cm)

CARE & MAINTENANCE

To clean and maintain these handrails: gently clean only with a soft cloth, dampened with non abrasive soap and water. This anodized, aluminum handrail is coated in a decorative, durable, corrosion-resistant anodic oxidized finish. **THE FINISH IS NOT WARRANTED.** It will degrade with normal use and typical wear and tear.